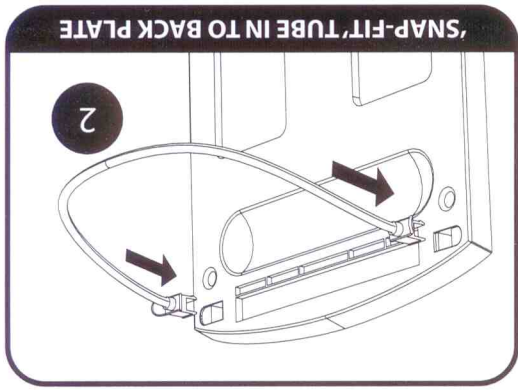
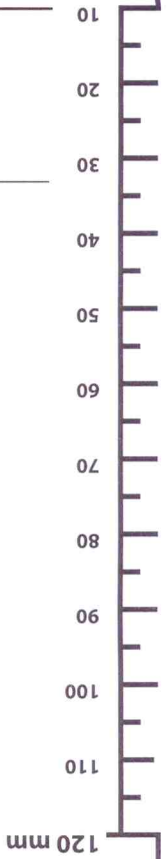
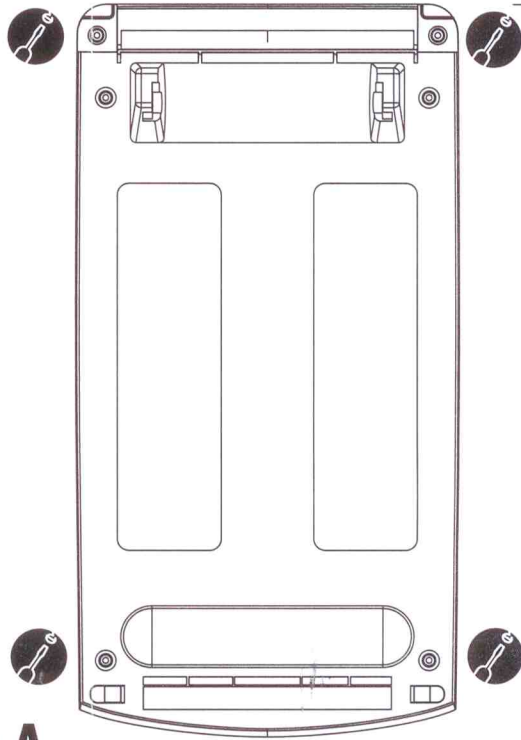


# Wall mounting

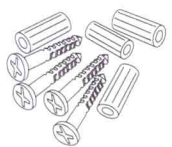
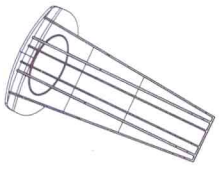
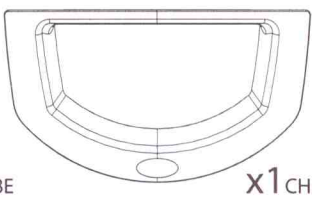
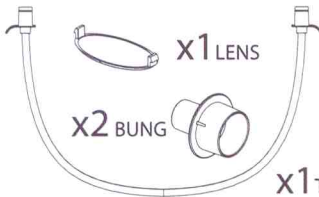
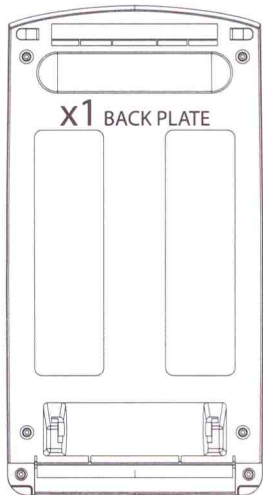


Floor level

CORRECT INSTALLATION HEIGHT



1



## PARTS LIST

# Wastecare<sup>®</sup>

Wall mounted waste paper bin

